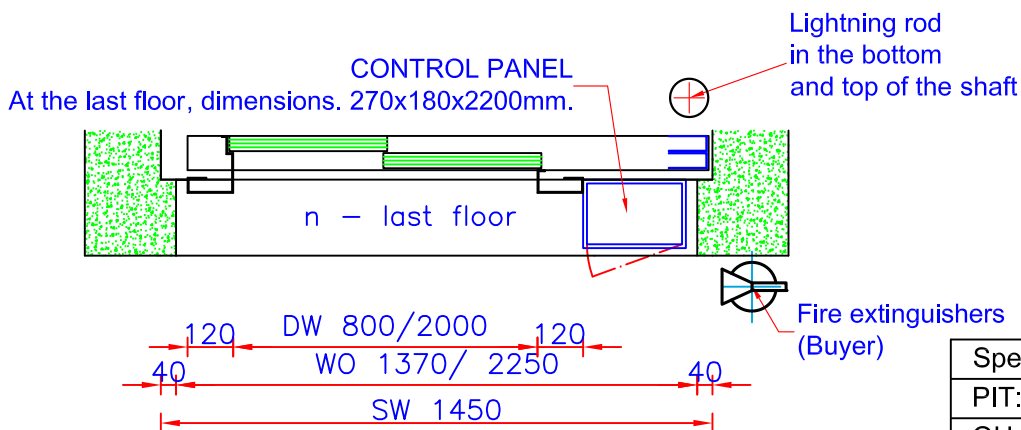
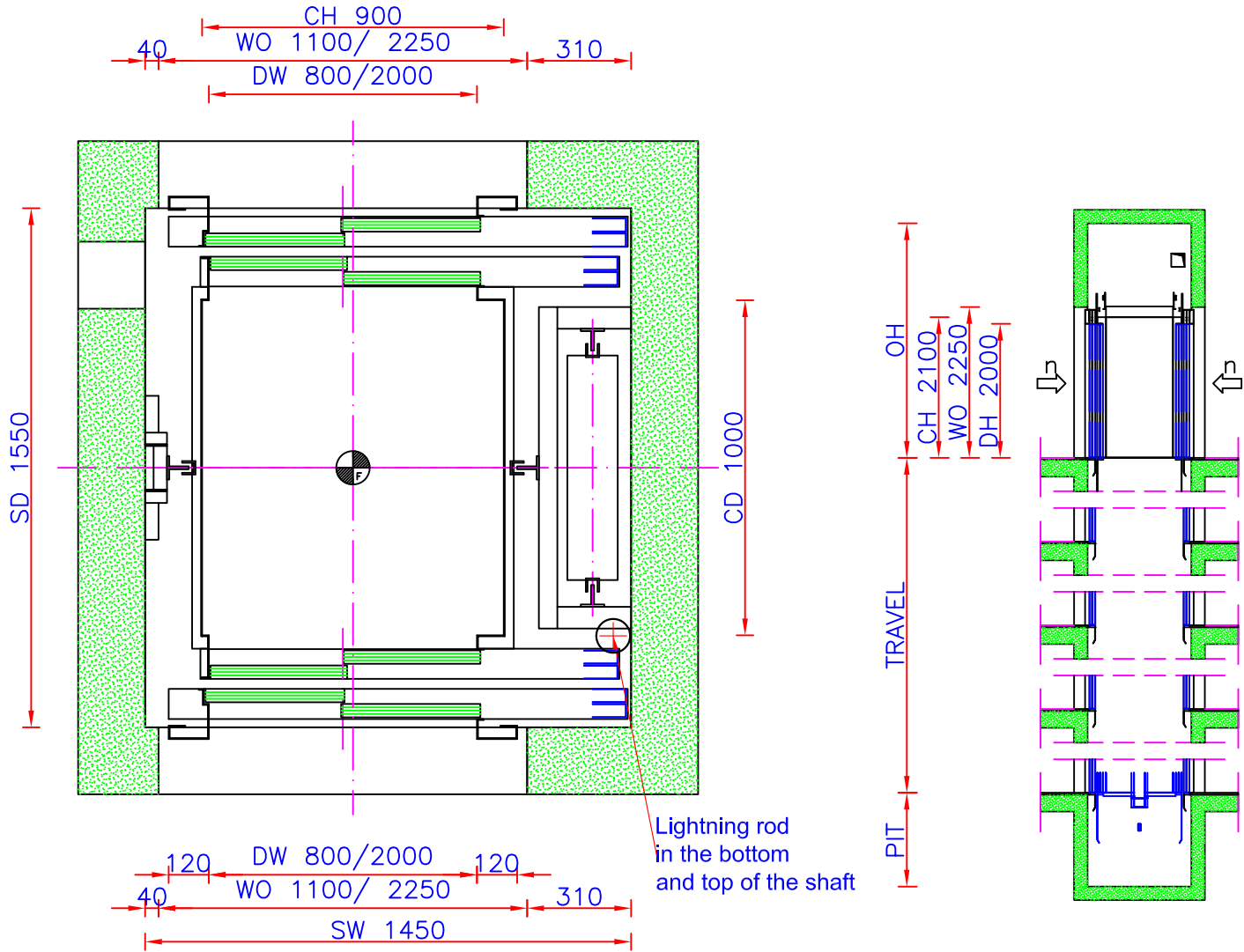


Speed: 1.0 m/s
PIT: 1.400mm
OH=3.500mm
CW = Car with / širina kabine
CD = Car depth / dubina kabine
SW = Shaft with / širina okna
SD = Shaft depth / dubina okna
DW= Door with / širina vrata
DH= Door height / visina vrata

Motor power: 3,9 kW
Motor current: 10,5 A / 19 A

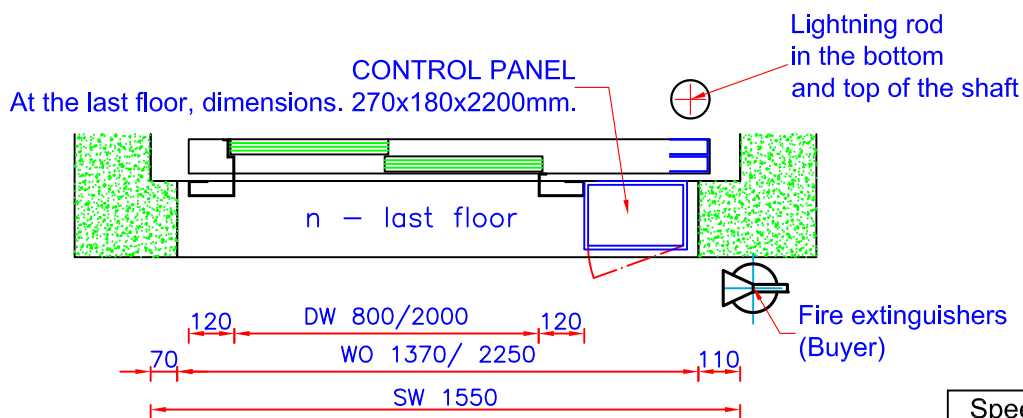
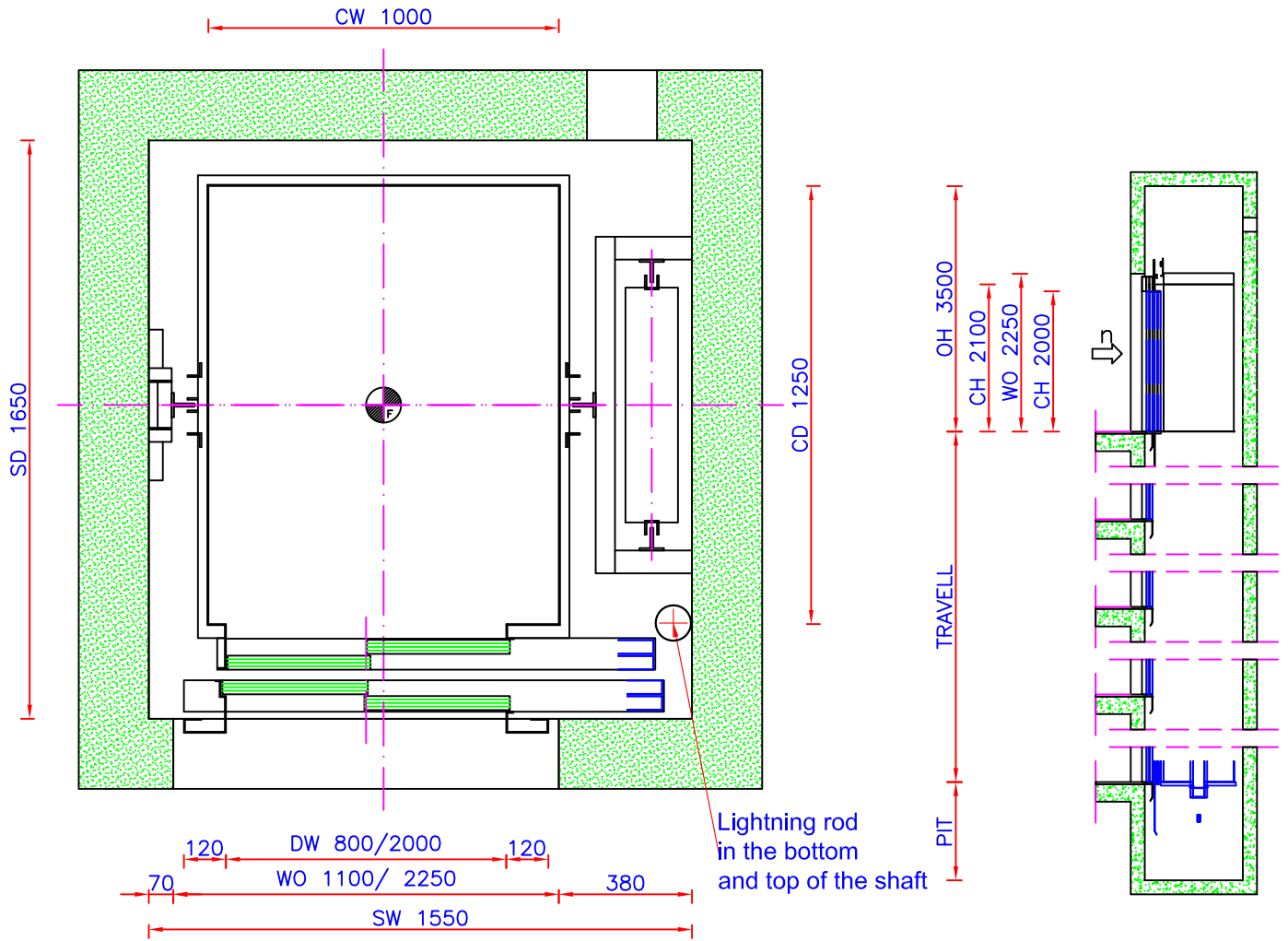
Model:	MRL	ELECTRICAL PERSONAL LIFT
Type:	S7	320 kg / 4 persons



Speed: 1.0 m/s
PIT: 1.400mm
OH=3.500mm
CW = Car with / širina kabine
CD = Car depth / dubina kabine
SW = Shaft with / širina okna
SD = Shaft depth / dubina okna
DW= Door with / širina vrata
DH= Door height / visina vrata

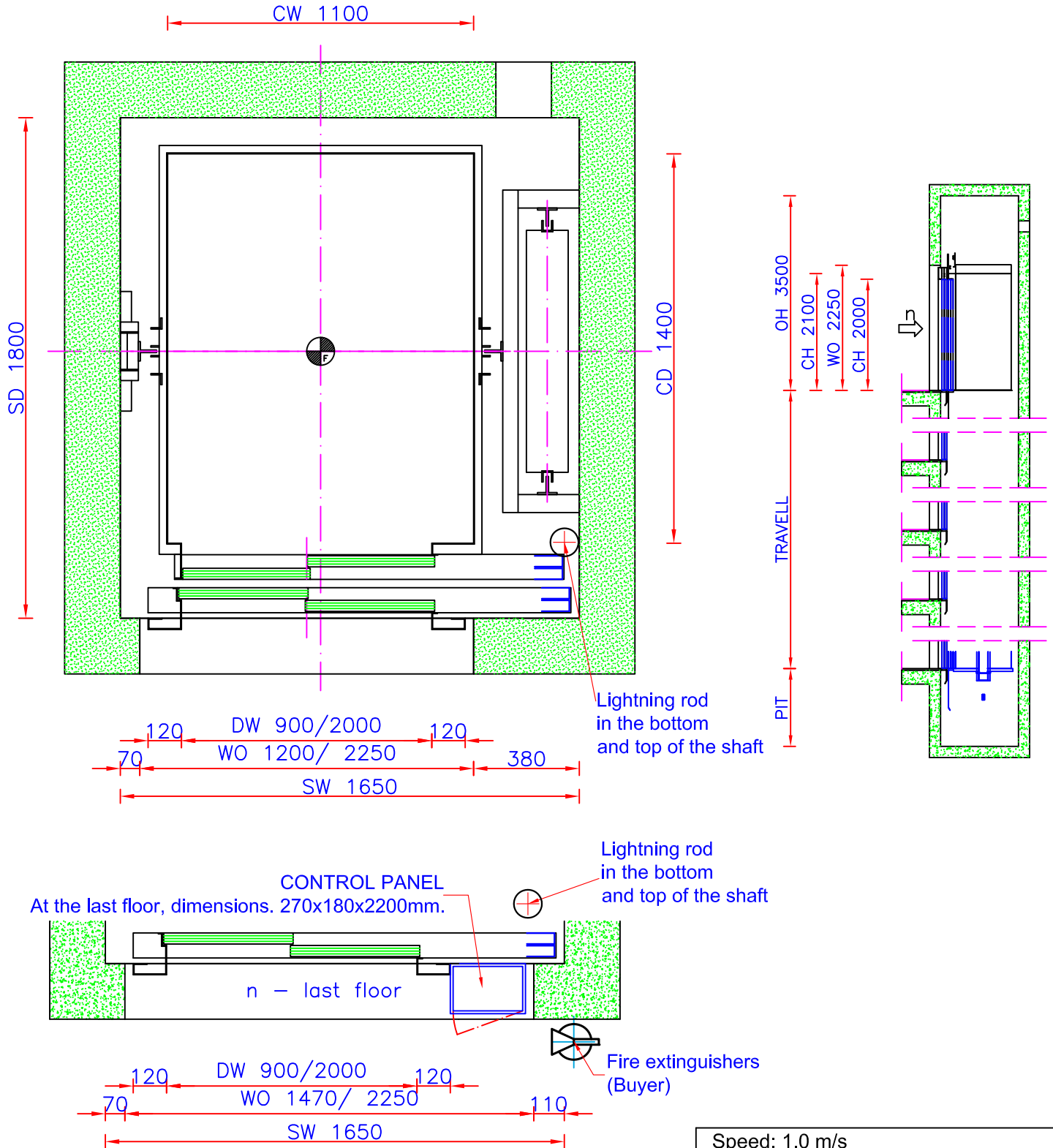
Motor power: 3,5 kW
Motor current: 10,5 A / 19 A

Model:	MRL	ELECTRICAL PERSONAL LIFT
Type:	S7	320 kg / 4 persons



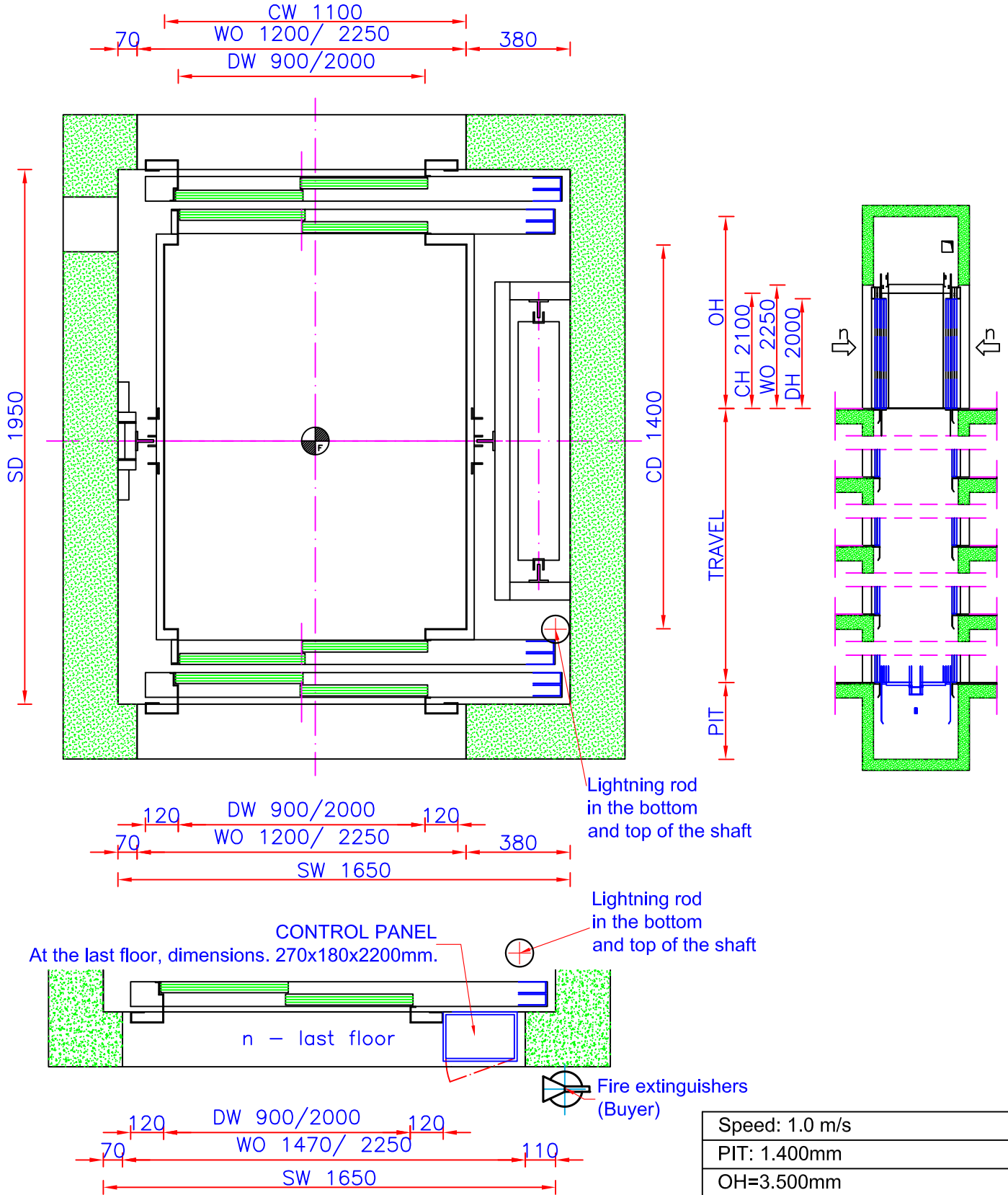
Speed: 1.0 m/s
PIT: 1.400mm
OH=3.500mm
CW = Car with / širina kabine
CD = Car depth / dubina kabine
SW = Shaft with / širina okna
SD = Shaft depth / dubina okna
DW= Door with / širina vrata
DH= Door height / visina vrata
Motor power: 3,9 kW
Motor current: 10,5 A / 19 A

Model:	MRL	ELECTRICAL PERSONAL LIFT
Type:	S7	450 kg / 6 persons



Speed: 1.0 m/s
PIT: 1.400mm
OH=3.500mm
CW = Car with / širina kabine
CD = Car depth / dubina kabine
SW = Shaft with / širina okna
SD = Shaft depth / dubina okna
DW= Door with / širina vrata
DH= Door height / visina vrata
Motor power: 5 kW
Motor current: 15,5 A / 31 A

Model:	MRL	ELECTRICAL PERSONAL LIFT
Type:	S7	630 kg / 8 persons



Speed: 1.0 m/s
PIT: 1.400mm
OH=3.500mm
CW = Car with / širina kabine
CD = Car depth / dubina kabine
SW = Shaft with / širina okna
SD = Shaft depth / dubina okna
DW= Door with / širina vrata
DH= Door height / visina vrata
Motor power: 5kW
Motor current: 15,5 A / 31 A

Model:	MRL	ELECTRICAL PERSONAL LIFT
Type:	S7	630 kg / 8 persons